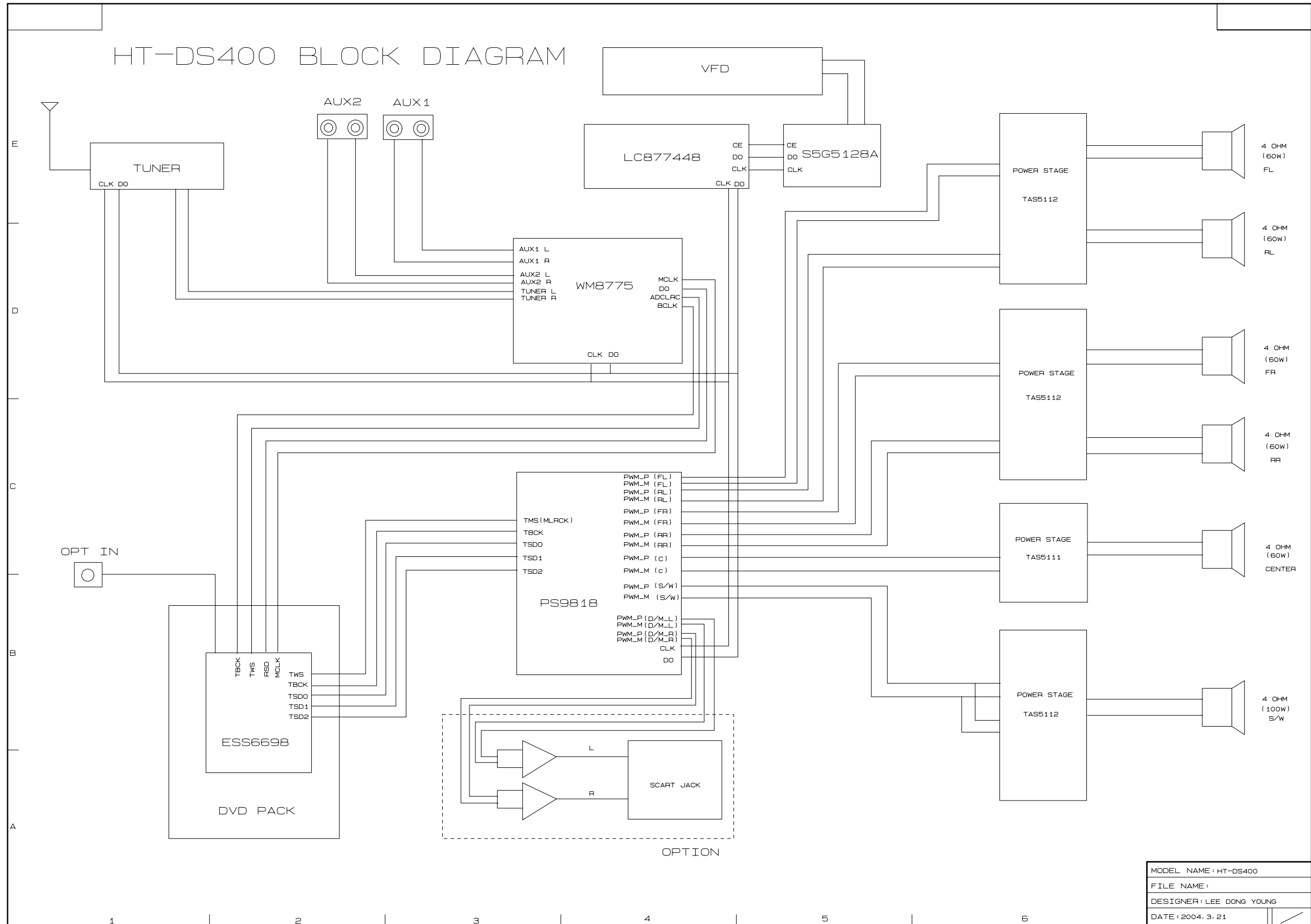


4. Block Diagram

4-1 MAIN Part



DVD BLOCK DIAGRAM

